



PUREWHITE IN-GROUND LED LIGHT FIXTURE

PureWhite LED Light Fixtures provide an LED lighting alternative to inefficient incandescents for installations requiring a full fixture. They significantly reduce energy consumption and maintenance costs. Plus, all PureWhite LED Light Fixtures feature a superior rugged construction that is unmatched in the industry.

PureWhite Advantages:

- Uses less energy – up to 90%*
- Lasts up to 50,000 hours – 20x longer life**
- Greater lumen output – up to 4,500 lumens
- Enhances pool water appearance – looks clearer and cleaner
- Enhances dark finish pools - commercial and residential
- Installs easily – compact fixture depth allows bottom catch visibility from pool deck

*HI Series compared to incandescent lamps
**Compared to incandescent lamps

Polished (shown)
or Matte faceplate available.



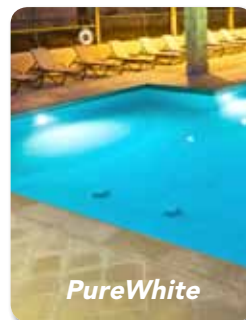
Pool LED
Light Fixture



SpaLED
Light Fixture

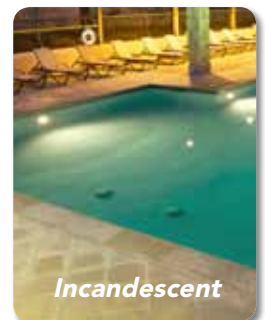


IMMEDIATE SAVINGS Instantly reduces energy and maintenance expenses.



PureWhite

VS.



Incandescent

THE PUREWHITE DIFFERENCE:

Custom Etched Optical Lens Provides Superior Light Diffusion

Contemporary Housing and Faceplate Styling

Industry Leading 3-year Warranty

Cool White LEDs Boost Clarity and "Blue Water Look"



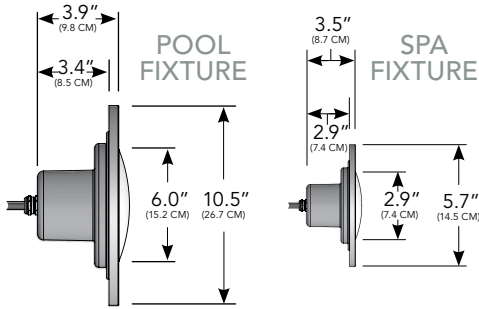
For more specific ordering information scan QR code*

pureWHITE™

LED Light Fixture



DIMENSIONS



ANNUAL SAVINGS COMPARISON

| | LED POOL LIGHT FIXTURE | | | INCANDESCENT | | |
|-----------------------------|--------------------------------|-----------|-----------|--------------|-------|-----------|
| | Li Series | Hi Series | Xi Series | 300W | 400W | 500W+ DWP |
| Life Span (hrs) | 50,000 | 50,000 | 50,000 | 2,500 | 2,500 | 2,500 |
| Life Span (yrs)* | 11.42 | 11.42 | 11.42 | .57 | .57 | .57 |
| Watts | 39 | 58 | 87 | 300 | 400 | 500 |
| Annual Energy Cost** | \$22 | \$33 | \$49 | \$170 | \$226 | \$283 |
| Annual Maintenance Cost *** | \$0 | \$0 | \$0 | \$306 | \$306 | \$306 |
| Total Annual Usage Cost | \$22 | \$33 | \$49 | \$476 | \$532 | \$589 |
| | Li Series Savings \$443 | | | | | |
| | Hi Series Savings \$499 | | | | | |
| | Xi Series Savings \$540 | | | | | |

Equivalent Chart

| Incandescent | LED Pool Light Fixture |
|-------------------------------|------------------------------------|
| 300W | Li Series: 39W 2,400 Lumens |
| 400W - 500W | Hi Series: 58W 3,900 Lumens |
| 500W+ Deep Water Pools | Xi Series: 87W 4,500 Lumens |

*Based on 12 hours of usage per day, 365 days per year. **Based on electricity cost of \$0.129 per KWh.

***Based on replacing bulb and gasket 1.75 times at \$50 per replacement and one hour of labor per replacement at \$125/hr.

Ordering Information

PUREWHITE FIXTURE - POOL SERIES

| Part Number | Voltage | Cord Length (ft) | Faceplate |
|---|---------|------------------|------------|
| LPL- XX - XX - XX - X | | | |
| F1W=Li | 120,12 | 30, 50,100, 150 | P=Polished |
| F3W=Hi | | | M=Matte |
| F5W=Xi | | | |

Power Consumption: Li=39W, Hi=58W, Xi=87W

Niche Compatibility:

Pentair®: 78210400, 78210500,
78210600, 78210700, 9206700

Hayward®: SP0604C, SP0600U

Jandy®: PLN1CLRG, SSN1CLRG1R, SSN1CLRG1S

Jacuzzi®: 94131234

PUREWHITE FIXTURE - SPA SERIES

| Part Number | Voltage | Cord Length (ft) | Faceplate |
|--|---------|------------------|------------|
| LPL-S1W - XX - XX - X | | | |
| | 120,12 | 30, 50,100, 150 | P=Polished |
| | | | M=Matte |

Power Consumption: 13W

Niche Compatibility:

Pentair®: 78244200, 78244300,
78243200, 78243300, 79206600

Hayward®: SP0606C, SP0610C

Jandy®: PLN1CSM, SSN1CSM1R, SSN1CSM1S

J&J ELECTRONICS, INC. • 6 Bendix, Irvine, CA 92618 USA • 800.735.4553 • 949.334.8700 • www.purewhitepoollight.com

*To scan the QR code, download a QR code reader from the APP store on your mobile device.

© 2013 J&J Electronics, Inc. All rights reserved. PureWhite is a trademark of and manufactured by J&J Electronics, Inc. The J&J Electronics logo is a trademark of J&J Electronics, Inc. All registered and trademarked brands and names are the property of their respective companies.

REV 10913