

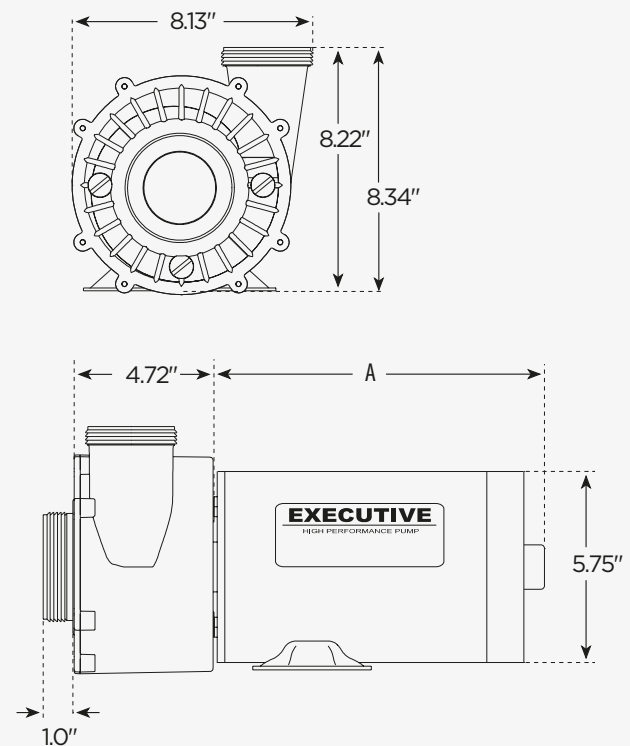
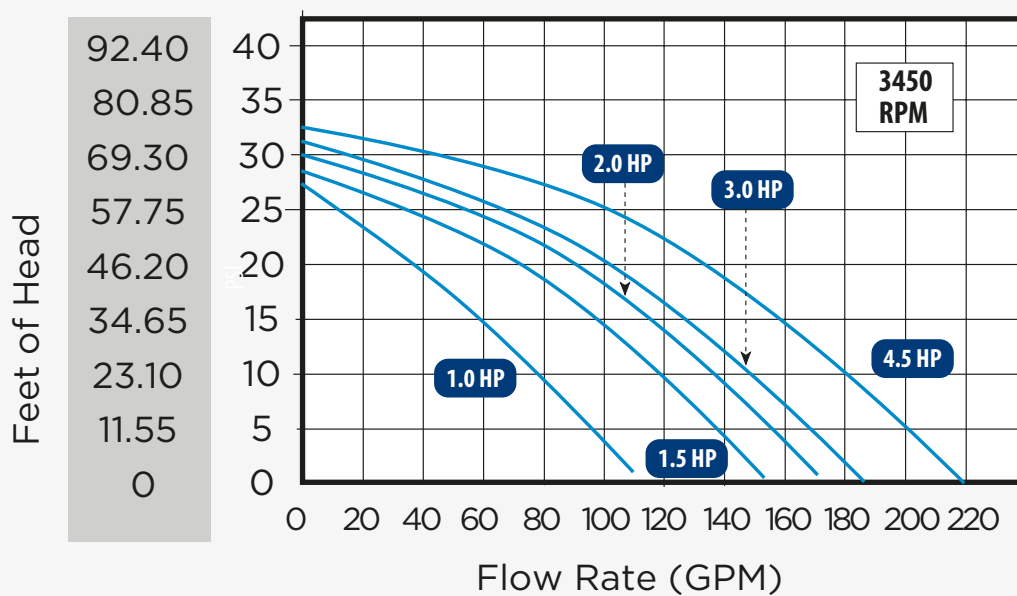
SPA PUMPS EXECUTIVE 48 - FRAME



Features:

- Executive wet end designed specifically for 48-frame motors.
- Large 2 ½" intake for improved flow performance and reduced noise.
- Large 6 ½" diameter wet end for higher head pressure.
- Thermally protected to extend life expectancy of motor.
- Highly versatile wet end can be rotated every 90°.
- Viton seals.
- 2-year warranty on motor, 3-year on wet end.

Pressure Versus Flow Rate



2-Speed Executive 48-Frame Pumps

Part No.	Description	HP	Volts	Amps High Speed	Amps Low Speed	Hz	Dimension "A"
3420410-1A	2" Intake - 2" Discharge	1.0	115	11.0	2.9	60	9.73"
3420410-13	2 ½" Intake - 2" Discharge	1.0	115	11.0	2.9	60	9.73"
3420610-1A	2" Intake - 2" Discharge	1.5	115	16.4	4.4	60	10.48"
3420610-13	2 ½" Intake - 2" Discharge	1.5	115	16.4	4.4	60	10.48"
3420620-1A	2" Intake - 2" Discharge	1.5	230	8.0	2.6	60	10.45"
3420620-13	2 ½" Intake - 2" Discharge	1.5	230	8.0	2.6	60	10.45"
3420820-1A	2" Intake - 2" Discharge	2.0	230	10.5	2.6	60	11.0"
3420820-13	2 ½" Intake - 2" Discharge	2.0	230	10.5	2.6	60	11.0"
3421221-1A	2" Intake - 2" Discharge	3.0	230	8.5	2.8	60	11.0"
3421221-13	2 ½" Intake - 2" Discharge	3.0	230	8.5	2.8	60	11.0"
3421821-1A	2" Intake - 2" Discharge	4.5	230	12.0	3.5	60	11.98"
3421821-13	2 ½" Intake - 2" Discharge	4.5	230	12.0	3.5	60	11.98"

1-Speed Executive 48-Frame Pumps

Part No.	Description	HP	Volts	Amps	Hz	Dimension "A"
3410410-1A	2" Intake - 2" Discharge	1.0	115	12	60	9.23"
3410610-1A	2" Intake - 2" Discharge	1.5	115	17	60	9.78"
3410830-1A	2" Intake - 2" Discharge	2.0	115/230	20/10	60	10.98"
3410830-13	2 ½" Intake - 2" Discharge	2.0	115/230	20/10	60	10.98"
3411621-1A	2" Intake - 2" Discharge	4.0	230	12	60	11.18"
3411621-13	2 ½" Intake - 2" Discharge	4.0	230	12	60	11.18"